



WHERE CRANE BUILDERS SHOP

We stock an extensive range of crane parts and feature thousands of products in our online store including conductor bar, festoon systems, overhead crane controls!

CONDUCTOR BAR SYSTEMS

FESTOON CABLE SYSTEMS

MOTOR CONTROLS

PENDANT STATIONS

RADIO CONTROLS

FESTOON & PENDANT CABLE

CABLE CARRIERS

ROTARY LIMIT SWITCHES

POSITION LIMIT SWITCHES

LOAD MONITORING DEVICES

SLIP RINGS

CABLE REELS

(888) 822 2024

www.crane-controls.com

info@ipandc.com

CUSTOM ROTARY LIMIT SWITCH



GET DOWN TO BASE ROTARY LIMIT SWITCH



LOW COST

2 - 4 MICROSWITCHES

3A / 250 V

Crane Controls brings the low-cost direct replacement for the original MF2C rotary limit switch to YOU. Personalize your Base rotary limit switch with freely configured ratios ranging from 1:15 through 1:158 in-house (factory special orders up to 1:1500). Our Base Rotary Limit Switch provides high-quality performance indoors or outdoors with operational temperature ranging between -40°C to +80°C and a standard IP67 enclosure making it submersible in water (subject to conditions of pressure and time).

IP66/IP67/IP69K

2 - 15 MICROSWITCHES

2 A / 125 V



LET'S TALK TOP ROTARY LIMIT SWITCH

The most customizable rotary limit switches are available at Crane Controls. Our Top rotary limit switch is the direct replacement for the original SF12C type with increased customization features in highly flexible ratio configurations. Order in house for 1:1 through 1:2700 (special order for flexibility as high as 1:1 through 1:8100). Each Top limit switch has 2 – 15 micro-switches with pointed or sector cams and is available in a combination of cams and microswitches, potentiometers or encoders.

CONFIGURATION CHECKLIST

Version

Cams

Switches

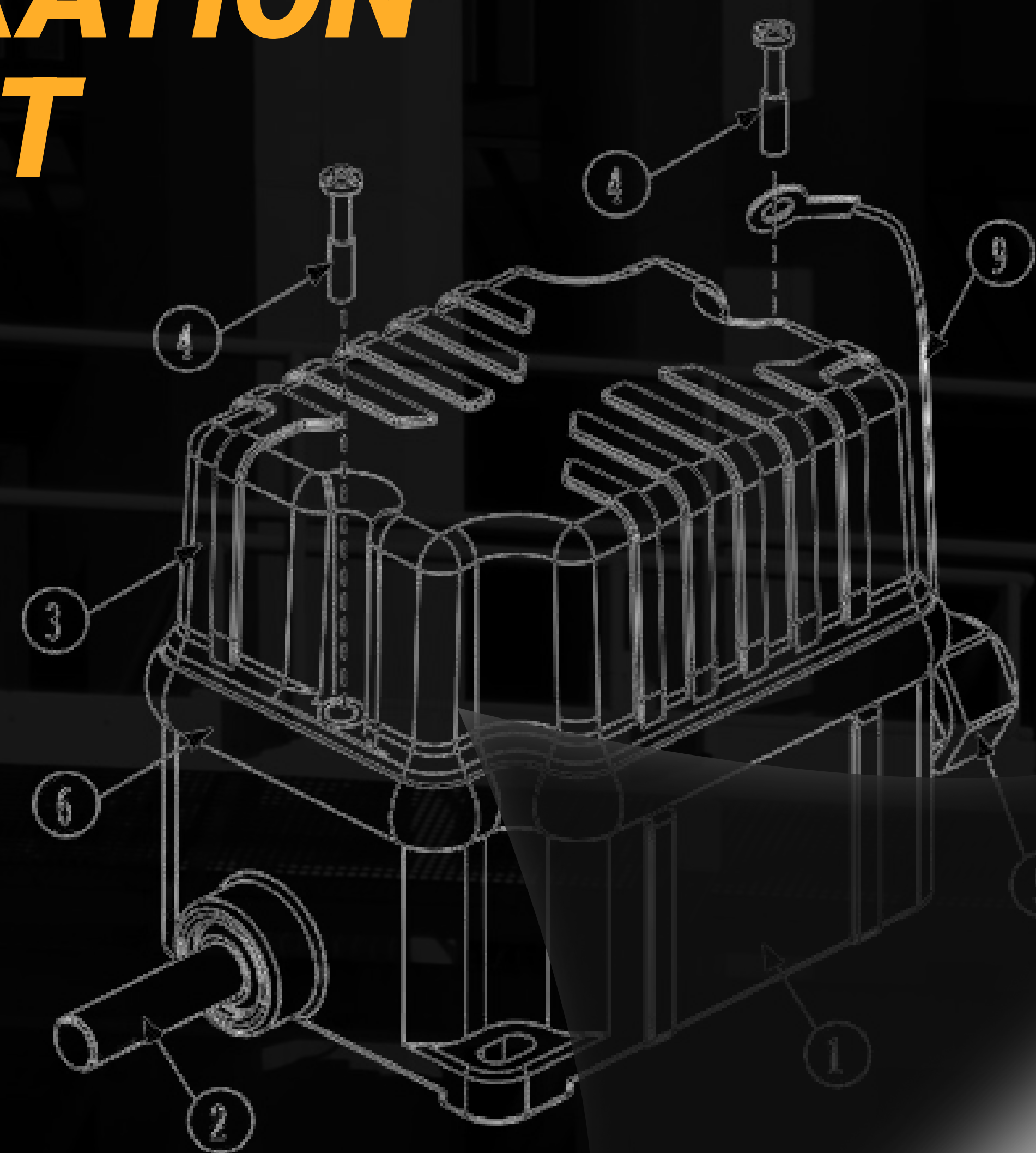
Revolution Ratio

Shaft

Flange

Coupling

Pinion Gear



email: info@ipandc.com

**CUSTOM ROTARY
LIMIT SWITCH**